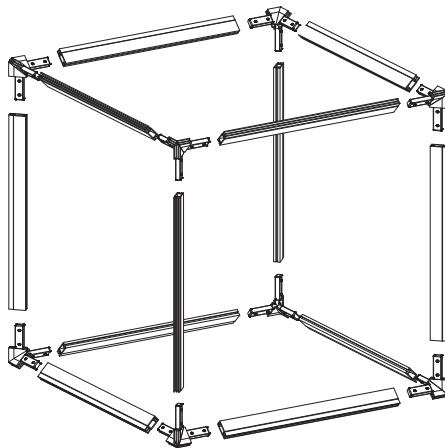
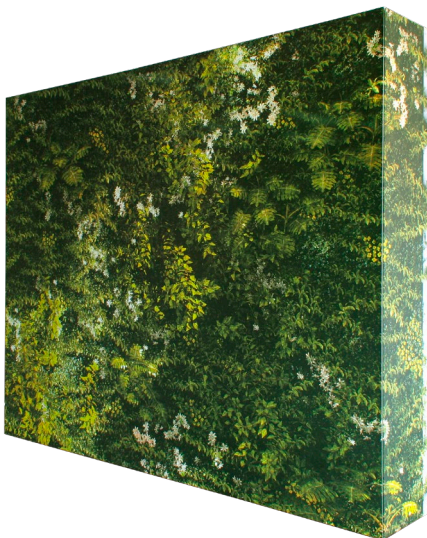


Tuffline[®] Fabric Cube

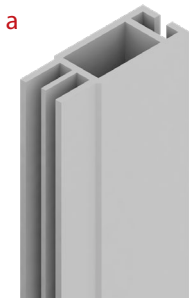
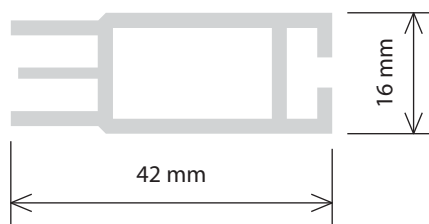
Freestanding or hanging graphic cubes

Tuffline Fabric Cube is a versatile indoor display solution. The frame is easily assembled after which the fabric graphics are quickly and easily applied. The system can be assembled by your staff - saving on installation costs.


The Tuffline Fabric Cube is light weight and easily transportable. A variety of rectangular shapes can be made. The system can be used for retail, office interior and trade display applications. Suspending from ceiling is possible with our ShopCable system.



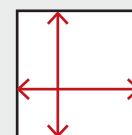
Top: Corner knuckle. Middle: Extrusions attached. Above: Fabric graphics applied



Frame Colours:

 Anodised Aluminium

Frame Sizes:



Cube Maximum:
2400mm x 2400mm
Rectangular Maximum:
TBC

EXTRUSION	SIZE	WALLMOUNTED	FREESTANDING	SHELVES	BASEPLATE/FOOT	SHOPCABLE
a. Tuffline Fabric Cube	43x16mm		✓			✓