

Tuffline® Fabric Single Sided

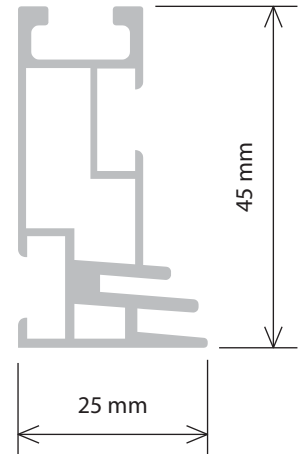
For wall mounted graphics

The Tuffline® Fabric textile framing system is a unique addition to the Tuffline® series. Stretching fabrics in the stylish Tuffline® frame allows for an easy changeover and creates great new opportunities.

Use this frame to create instore textile collages, promote current fashion patterns and designs or as a unique graphic textile feature.

This lightweight but sturdy graphic solution looks permanent but the textile can be changed in minutes. Tuffline® Fabric can also provide acoustic benefits to a room.

Graphics can be made to almost any size. To cover larger areas, several Tuffline® fabric frames can be joined together to form a grid.







Graphic Edging: 1.5mm x 9mm

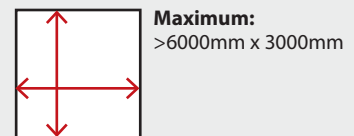
A special feature of the single sided frame is that it allows for a 2nd blank fabric skin to be installed directly beneath the graphic skin. This helps minimise bleed through from behind the graphic.



Frame Colours:

-  Anodised Aluminium
-  Black Powdercoat
-  White Powdercoat
-  Custom Available

Frame Sizes:



EXTRUSION	SIZE	WALLMOUNTED	FREESTANDING	SHELVES	BASEPLATE/FOOT	SHOPCABLE
-----------	------	-------------	--------------	---------	----------------	-----------

a. 25mm Tuffline fabric single sided	25x45mm	✓				✓
--------------------------------------	---------	---	--	--	--	---

FREE CALL
1800 606 682
www.flash.com.au

Sydney
15 Chapel Street
Marrickville NSW 2204
T +61 2 8594 3555
E flash.aus@flash.com.au

Brisbane
19 Chester Street
Newstead Qld 4006
T +61 7 3620 7600
E brisbane.qld@flash.com.au

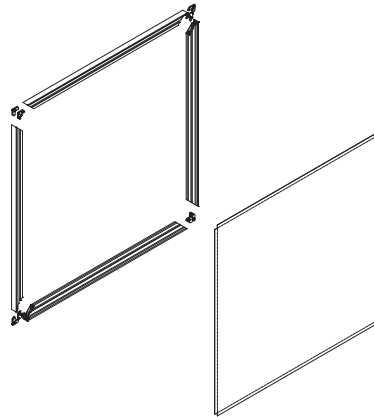
Canberra
61 Kembla Street
Fyshwick ACT 2609
T +61 2 6280 6166
E canberra.act@flash.com.au

Tuffline[®] Fabric Single Sided

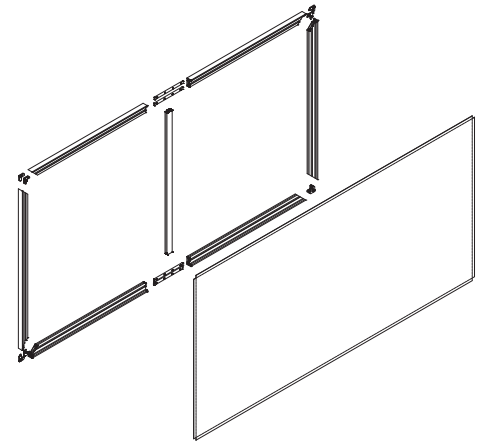
For wall mounted graphics

Exploded View

Right: Smaller fabric frame where all frame lengths are whole. Diagram of a single sided frame showing corner brackets, extrusions and graphic.



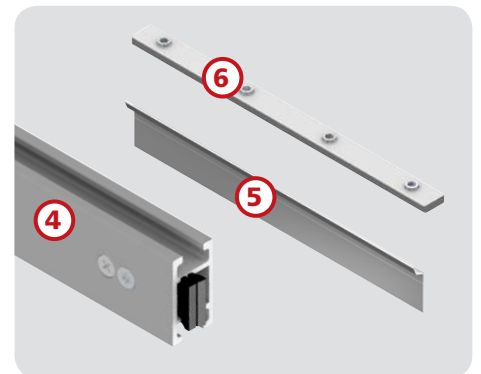
Far right: Larger fabric frame where longer extrusions are cut into sections for easy transport. Diagram of a single sided frame showing corner brackets, extrusions, bracing bars, connector bars and graphic.



Components

Because Tuffline Fabric graphics are usually larger, they get shipped in components, reducing shipping size. They are quickly and easily assembled using a screwdriver.

1. Extrusion 2. Graphic 3. Corner brackets
Optional Extra (depending on size):
4. Brace 5. Split Batton 6. Connector bar



Wall Mounting

Tuffline Fabric Single Sided panels are usually mounted using split battons.

