

Tuffline® Fabric Double Sided

For freestanding & hung graphics

The double sided version of Tuffline® fabric can be used as a free standing display.

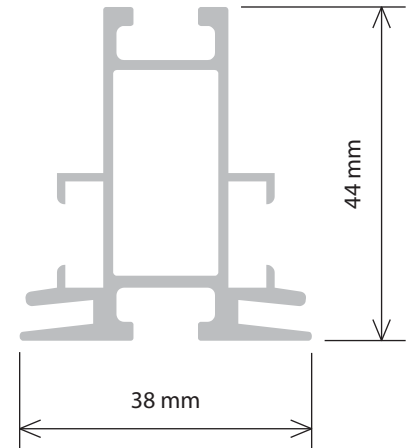
The large display wall shown here can be easily dismantled for cost effective shipping.

Graphic sizes can be made up to almost any size. Alternatively, larger graphics can be made by joining smaller frames together.

Double sided Tuffline® Fabric frames can also be integrated with modular display components.



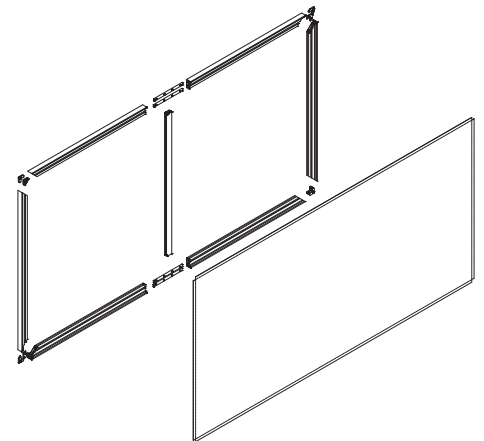
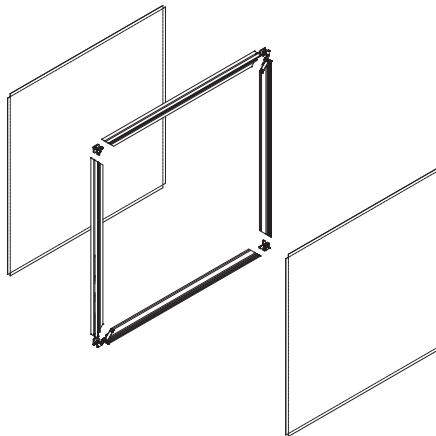
Graphic Edging: 1.5mm x 9mm





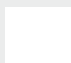

Exploded View

Right: Smaller fabric frame where all frame lengths are whole. Diagram of a double sided frame showing corner brackets, extrusions and graphics.

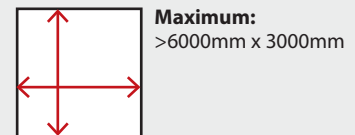
Far right: Larger fabric frame where longer extrusions are cut into sections for easy transport. Diagram of a double sided frame showing corner brackets, extrusions, bracing bars, connector bars and graphics.



Frame Colours:

-  Anodised Aluminium
-  Black Powdercoat
-  White Powdercoat
-  Custom Available

Frame Sizes:



EXTRUSION	SIZE	WALLMOUNTED	FREESTANDING	SHELVES	BASEPLATE/FOOT	SHOPCABLE
a. 38mm Tuffline fabric double sided	38x44mm	✓	✓		✓	✓

FREE CALL
1800 606 682
www.flash.com.au

Sydney
 15 Chapel Street
 Marrickville NSW 2204
 T +61 2 8594 3555
 E flash.aus@flash.com.au

Brisbane
 19 Chester Street
 Newstead Qld 4006
 T +61 7 3620 7600
 E brisbane.qld@flash.com.au

Canberra
 61 Kembla Street
 Fyshwick ACT 2609
 T +61 2 6280 6166
 E canberra.act@flash.com.au

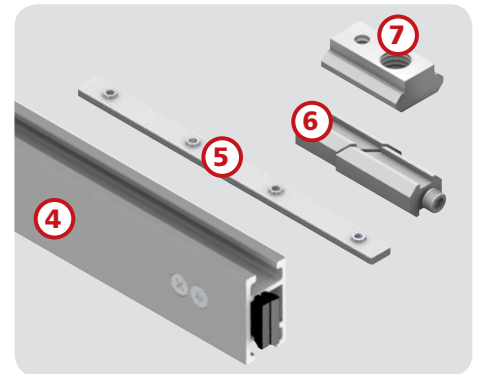
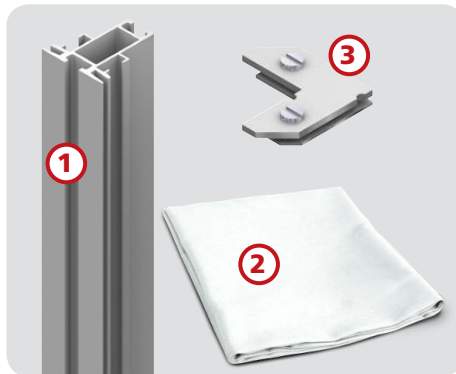
Tuffline[®] Fabric Double Sided

For freestanding & hung graphics

Components

Because Tuffline Fabric graphics are usually larger, they get shipped in components, reducing shipping size. They are quickly and easily assembled using a screwdriver.

1. Extrusion 2. Graphic 3. Corner brackets
Optional Extra
(depending on size and accessories):
4. Brace 5. Connector bar 6. Split pin
7. Mega nut



Free standing & Hanging

Tuffline Double Sided graphics are usually free standing using either a side foot or base plate but can also be hung with our Shop Cable system

