

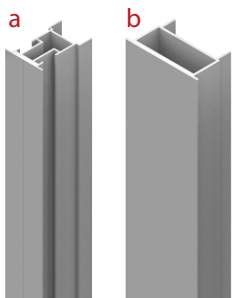
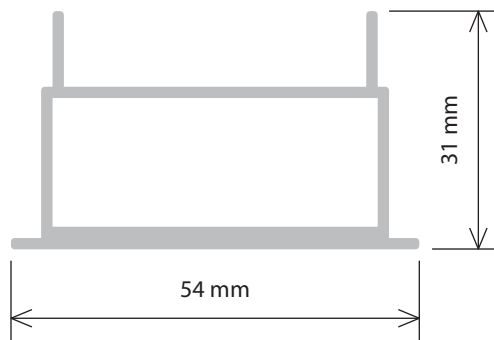
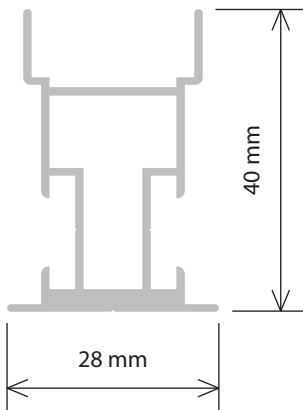
Tuffline® Magnetic Double Sided

For freestanding & wall mounted graphics





Utilise unused space with a unique and cost effective display feature for your product.

The Tuffline FreeStand® is double sided and includes two full colour graphics.

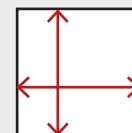
The Tuffline FreeStand® is 500 x 1500mm. Custom sizes and shelves are available.



Frame Colours:

-  Anodised Aluminium
-  Black Powdercoat
-  White Powdercoat
-  Custom Available

Frame Sizes:



- Standard Freestand:**
Width: 500/550/650mm
Height: 1500mm
- Maximum Freestand:**
1000x2000mm
- Maximum (Other):** 1200x2400

EXTRUSION	SIZE	WALLMOUNTED	FREESTANDING	SHELVES	BASEPLATE/FOOT	SHOPCABLE
a. 28mm Tuffline double sided	28x40mm	✓	✓	✓	✓	✓
b. 54mm Tuffline double sided	54x31mm	✓	✓	✓	✓	✓

FREE CALL
1800 606 682
www.flash.com.au

Sydney
15 Chapel Street
Marrickville NSW 2204
T +61 2 8594 3555
E flash.aus@flash.com.au

Brisbane
19 Chester Street
Newstead Qld 4006
T +61 7 3620 7600
E brisbane.qld@flash.com.au

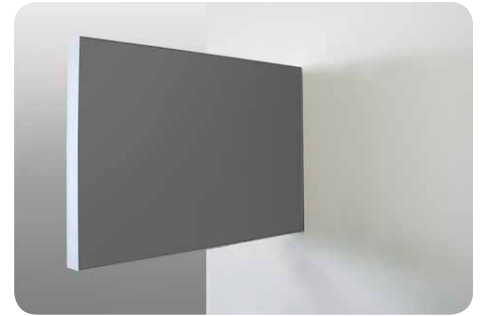
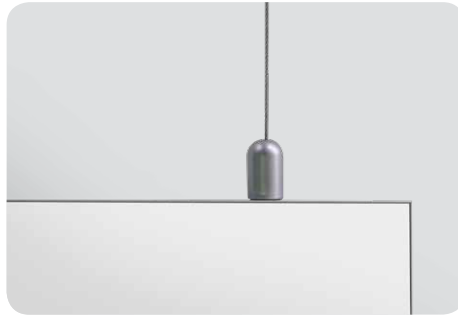
Canberra
61 Kembla Street
Fyshwick ACT 2609
T +61 2 6280 6166
E canberra.act@flash.com.au

Tuffline[®] Magnetic Double Sided

For freestanding & wall mounted graphics

Ceiling & Wall Mounting

Tuffline Double Sided panels can be mounted in various ways with our shop cable system. They can also be mounted edge on ideal for way finding signage.



Base plates

Standard base plates come in 500, 550 & 650mm. Panels that are wider than these sizes use 2 smaller base plates aligned to the outer edge.

